

**1080P Full-HD  
H.264 CMOS Network Camera**

**CAM748F / CAM748F-W / CAM748F-PoE**

**User's Manual**

**Date: 3/12/2013**

**Firmware Version: V01.00.01.3165**

---

---

# Content

Content .....	1
1. Preface .....	3
2. Product Specifications.....	3
3. Product Installation .....	6
3.1 Hardware Installation.....	6
3.1.1 Cable Connections.....	6
3.1.2 Digital I/O Connections.....	7
3.2 Monitor Setting.....	9
3.3 IP Assignment .....	10
4. Live Video .....	12
4.1 Connect with PC.....	12
4.2 Connect with Mobile Phone.....	16
5. Configuration .....	17
5.1 Video / Audio .....	18
5.1.1 Video Stream.....	18
5.1.2 Video (Advanced).....	21
5.2 Camera .....	23
5.2.1 Camera Setting .....	23
5.2.2 Privacy Mask.....	25
5.3 Network .....	26
5.3.1 Network Setting.....	26
5.3.2 Network (Advanced).....	28
5.3.3 DDNS.....	30
5.3.4 Wireless .....	31
5.4 Event Handling.....	33
5.4.1 Configuration.....	33
5.4.2 Motion Detection .....	36
5.4.3 Event Server .....	38
5.4.4 GPIO .....	41
5.5 Storage.....	42
5.5.1 Storage Information.....	42

---

5.5.2	File List.....	42
5.6	System .....	43
5.6.1	System Information .....	43
5.6.2	User Management.....	44
5.6.3	Date / Time.....	46
5.6.4	Maintenance.....	48
6.	Network Configuration .....	50
6.1	Intranet Only.....	50
6.1.1	Connects to PC Directly .....	50
6.1.2	Connects to an Exist LAN .....	51
6.2	Internet Only.....	52
6.2.1	Connects to ADSL with Fixed Public IP Address .....	52
6.2.2	Connects to ADSL with Floating Public IP (PPPoE).....	53
6.3	Intranet + Internet.....	55
6.3.1	Connects to Internet with Fixed Public IP Address .....	55
6.3.2	Connects to Internet with Floating Public IP.....	57
7.	Factory Default .....	58

# 1. Preface

This camera is a 1080P Full-HD 2 Mega-Pixel CMOS network camera which builds in web server. User views real-time video via IE browser. It supports H.264 and MJPEG video compression which provides smooth and high quality video.

The PoE model built-in support for Power over Ethernet allows the camera to receive both data and power over a single Ethernet cable.

This camera is an easy-to-use IP camera which is designed for security application.

# 2. Product Specifications

- Onvif compliance
- 2 Mega-Pixel CMOS Sensor
- H.264 / MJPEG compression formats and six streaming
- Supports resolution up to 1920x1080, 1080P@30FPS real time
- Self-Contained HTTP Web Server providing Internet capability for remote access
- Day & Night functionality for 24-hours surveillance, auto activate IR illuminator in low illumination
- Infrared radiant distance up to 20 meters
- Outdoor housing with IP66 waterproof standard
- Wide Dynamic Range
- Exposure Time adjustment
- Digital Noise Reduction
- Day&Night Switch time control manually
- Wireless network connection (Wireless model)
- Built-in PoE splitter, support for Power over Ethernet (PoE model)
- 2-way audio
- Online firmware upgrade

Hardware	
Image Sensor	1/2.7" CMOS, 2 Mega-Pixel
Lens	Fix Lens, Focal Length 4.2mm, F1.8, Mega-Pixel lens
IR Distance	20 Meters
Illumination	IR On: 0 lux

Day / Night	Built-in Mechanism IR Cut Filter (ICR)
Audio In	1 Microphone in (3.5mm phone jack for connecting external passive-type of microphone)
Audio Out	1 Line out (3.5mm phone jack for connecting external amplified speaker)
Digital I/O	Terminal block for connecting 1 Digital in / 1 Digital out
Video Out	1 Analog video out (BNC connector)
Water Proof	Yes, IP66 standard
Power Supply	Normal & Wireless model: DC 12V, 1A PoE model (built-in PoE Splitter): Use PoE: PoE Injector (IEEE 802.3af) Or, use Power Adaptor: DC 12V, 1A
Power Consumption	Max. 9 Watt
Dimensions	W75 x H75 x L155 mm
<b>Network</b>	
Ethernet	10/ 100 Base-T
Wireless (Wireless model)	802.11b/g/n, supports WPA-PSK, WPA2-PSK, WEP 64/ 128 bit
Network Protocol	HTTP, TCP/IP, RTP/RTSP, UDP, SMTP, FTP, Samba, PPPoE, DHCP, DDNS, NTP, UPnP, ARP
Onvif Compliance	Yes
<b>System</b>	
Multiple Streaming	Six streaming
3G Mobile View	Yes, Live view with 3G mobile device
Video/ Audio Format	Stream 1 Resolution: 1920x1080 Frame Rate: up to 30FPS (Single streaming mode) Video Format: H.264, MJPEG Stream 2 Resolution: 1280x720, 640x360 Frame Rate: up to 30FPS Video Format: H.264, MJPEG Stream 3 Resolution: 320x180 Frame Rate: up to 30FPS Video Format: H.264 Stream 4 Resolution: 320x180 Frame Rate: up to 30FPS

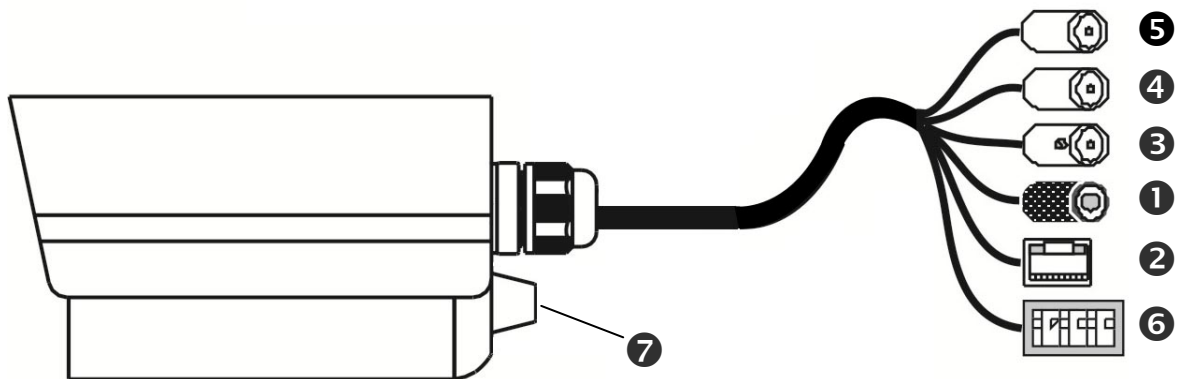
	Video Format: MJPEG Stream 5 Resolution: 160x128 Frame Rate: up to 30FPS Video Format: H.264 Stream 6 Resolution: 160x128 Frame Rate: up to 30FPS Video Format: MJPEG
Video Bitrate Adjustment	CBR, VBR
Image Adjustment	Brightness, Contrast, Hue, Saturation, Sharpness, De-noise, Gamma, White Balance, Exposure, WDR, ICR control mode, Video orientation
Image Snapshot	Yes
Privacy Mask	Yes, 3 different areas
Motion Detection	Yes, 3 different areas
Event Trigger	Motion Detection, Digital In, Manually trigger, Boot up, IP changed
Triggered Action	Send Email, Send to FTP, Save to Samba HDD, Digital Out
Security	Password protection
Firmware Upgrade	HTTP mode, can be upgraded remotely
Connection	Up to 10 clients simultaneously
Audio	Yes, 2-way
<b>Web browsing requirement</b>	
OS	Windows XP, Vista, Windows 7
Web Browser	Microsoft IE V7.0 (32-bit) or above, Mozilla Firefox V6.0 or above, Opera V11.5 or above, Safari V5.1 or above, Google Chrome V13.0 or above
Suggested Hardware	Intel Core 2 Duo 2.53GHz, RAM: 1GB Graphic card: 128MB onboard RAM

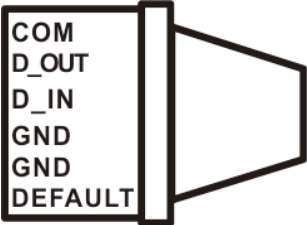
\* Specifications are subject to change without notice

## 3. Product Installation

### 3.1 Hardware Installation

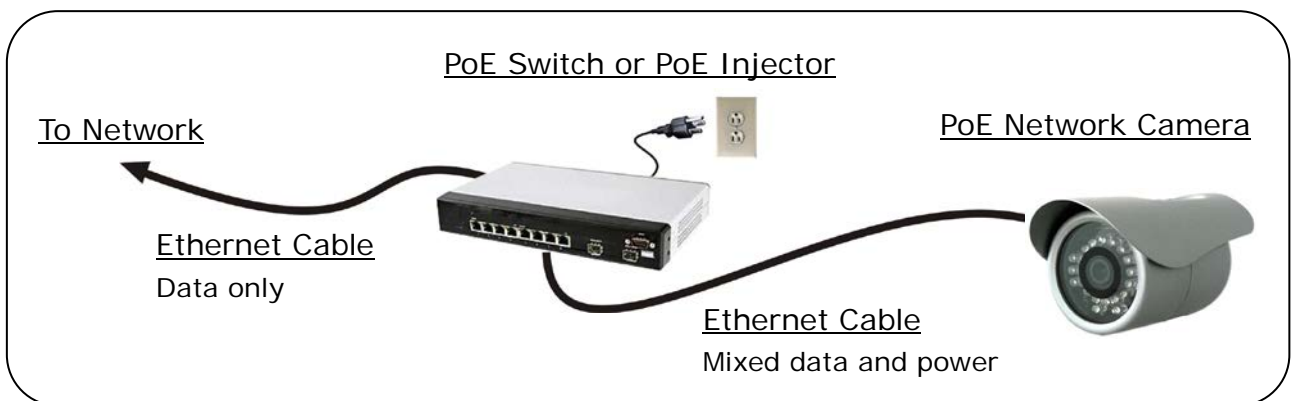
#### 3.1.1 Cable Connections



<b>1</b> Power Jack:	To connect the DC 12V power adapter.
<b>2</b> Network Connector:	The RJ-45 connector allows connect the Ethernet cable.
<b>3</b> Video Output:	The BNC connector allows connect to the analog display to output analog video for locally monitoring.
<b>4</b> Microphone Input (Pink)	Allows connect to an external passive-type of microphone, the audio will be heard at the remote site.
<b>5</b> Audio Output (Green):	Allows connect to an amplified speaker, you can hear the voice of the remote site from the speaker.
<b>6</b> Terminal Block: 	The terminal block provides the following functionalities: <ul style="list-style-type: none"> <li>● <b>Digital I/O:</b> Digital In and Digital Out.             <ul style="list-style-type: none"> <li>COM – Digital Out common pin.</li> <li>D_Out – Digital Out pin.</li> <li>D_IN – Digital In pin.</li> </ul> </li> <li>● <b>Factory Default (DEFAULT):</b> To let the camera backs to factory default.</li> </ul>
<b>7</b> Antenna Connector:	Available for Wireless model. To connect the included wireless antenna.

1. Connect the cable of Digital I/O, Audio output and Audio input if you want to use these functionalities.
2. Connect Ethernet cable for network connection.
3. Connect power adapter to turn on the camera.
4. If the camera is PoE model, the power adapter is not necessary. The camera will get the power from the PoE injector or PoE switch.

PoE (Power over Ethernet) is a technology that integrates power into a standard LAN infrastructure. It enables power to be provided to the network device, such as an IP phone or a network camera, using the same cable as that used for network connection. It eliminates the need for power outlets at the camera locations. Please follow the below figure for the connection.



5. Set up the network configurations according to the network environment. For further explanation, please refer to [Network Configuration](#) chapter.
6. After finish the configuration for the very first time, if you want to use wireless network, connect the wireless antenna, and then configure the wireless settings, then, plug out the Ethernet cable to use the wireless connection.

### 3.1.2 Digital I/O Connections

The terminal block of the camera also provides Digital Input and Digital Output. You can connect the wires of connector to this terminal block to output these signals. The I/O connector provides the interface to:

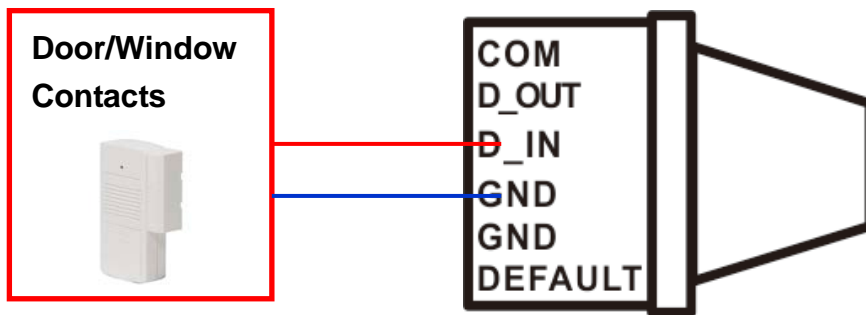
- 1 set of Digital Input (D\_IN + GND) – The digital inputs for connecting devices that



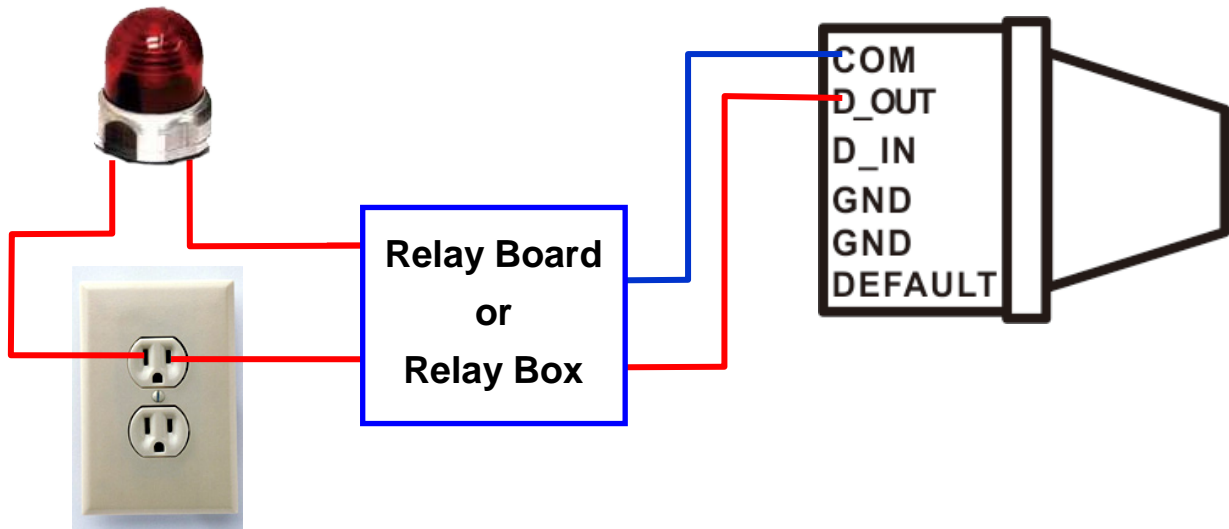
can toggle between an open and closed circuit, such as PIRs, door/window contacts, glass break detectors, etc. When a signal is received the status changes and the input becomes active.

- 1 set of Digital Output (D\_OUT + COM) – The output to Relay Box or Relay Board, and switch on the alarm device such as LEDs, Sirens, etc.

*Digital Input (Alarm Input)*



*Digital Output*

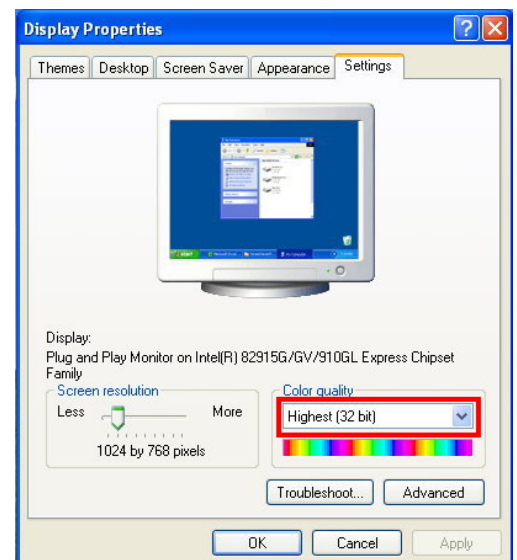


## 3.2 Monitor Setting

1. Right-Click on the desktop. Select “Properties”



2. **Change color quality to “Highest (32bit)”**.



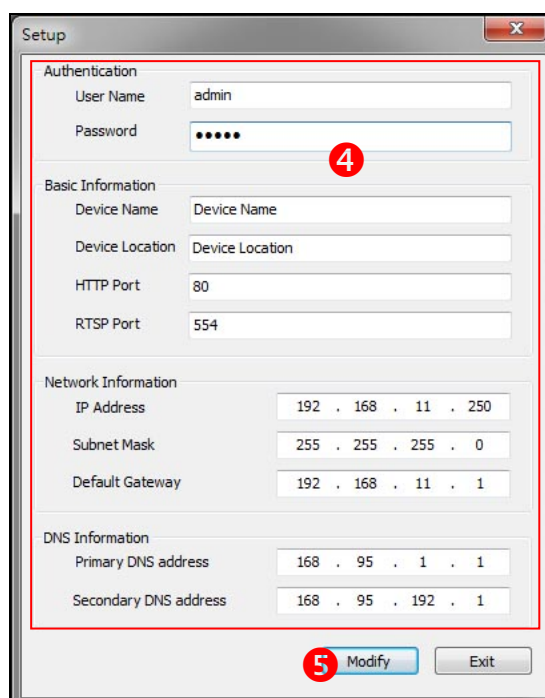
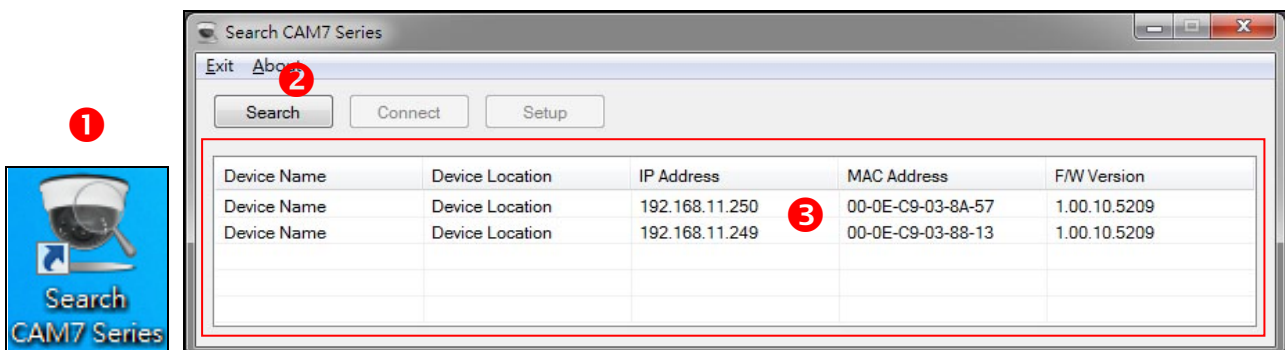
### 3.3 IP Assignment

- Always consult your network administrator before assigning an IP address to your camera in order to avoid using a previously assigned IP address.
- MAC Address: Each network camera has a unique Ethernet address (MAC address) shown on the sticker of the device.

“Asoni IP Search” is a utility that provides an easier, more efficient way to configure the IP address and network settings of the network camera in Local Network (LAN).

The software can be installed from the attached software CD.

1. Once “Asoni IP Search” has been successfully installed on the computer, double click the “Search CAM7 Series” icon on the desktop.



2. IP Search searches all the network devices which connect to the intranet and lists on the window. Click **[Search]** button to search again.
3. From the list, click and select the device with the MAC Address that corresponds to the device that is to be configured, and then click **[Setup]** button, the network configuration of this device will be shown.
4. Input “**admin**” and “**admin**” in Username and Password fields, and then filling in the IP Address, HTTP Port, RTSP Port, Subnet Mask, Gateway and DNS.
5. Click **[Modify]** button to save the settings into the device.
6. Wait for one minute to let the device update the settings, and then click **[Search]** button again to re-search the network devices.
7. If you want to view the device with IE browser, double-click the network device listed on the window, it will open an IE browser and connect to this device directly.

## 4. Live Video

### 4.1 Connect with PC

Start the IE browser, type the IP address of the network camera in the address field:

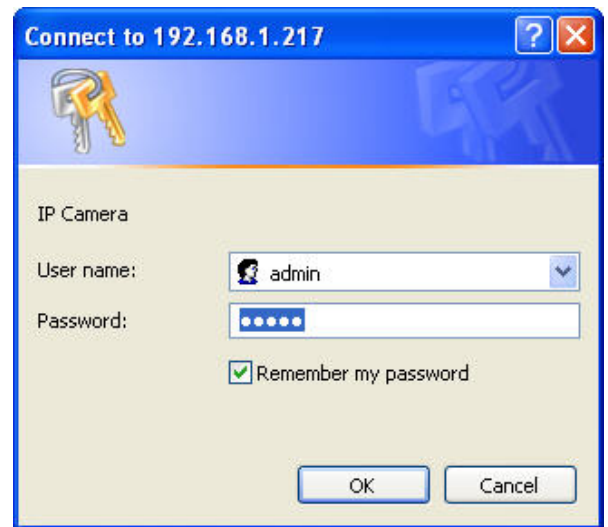
<http://<IP of camera>>

If the “HTTP Port” has been changed from “80”, type the URL as:

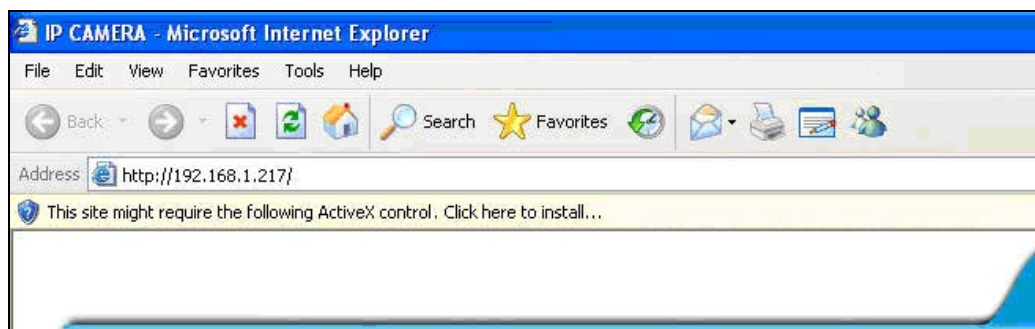
<http://<IP of camera>:<HTTP Port>>

After link to the camera, it will show a dialogue box. Key-in the user name and password to log-in and open the web page of camera.

The default user name and password are “**admin**” and “**admin**”.



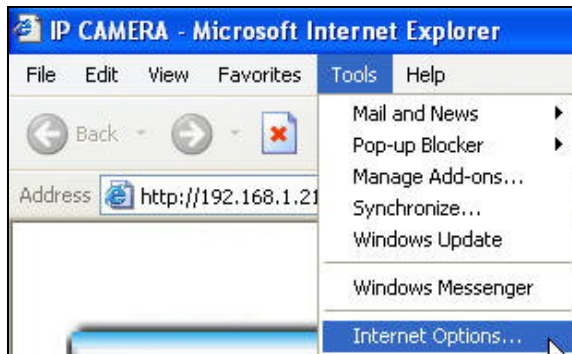
For the first time to view the camera video via IE, it will ask you to install the ActiveX component.



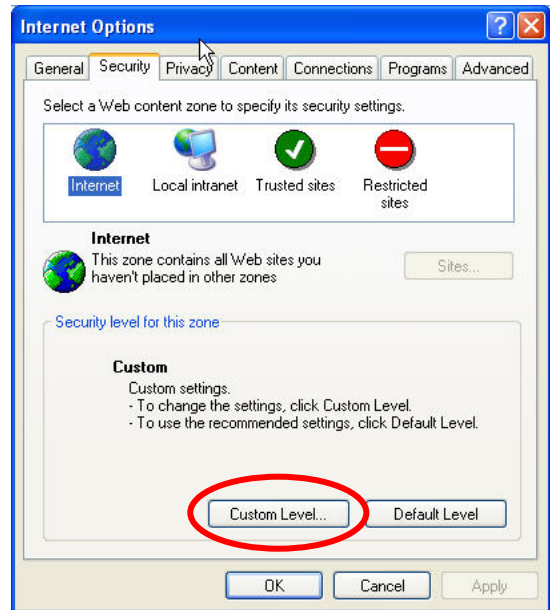
If the installation failed, please check the security setting for the IE browser.

1. If you want to view the device with IE browser, double-click the network device listed on the window, it will open an IE browser and connect to this device directly.
2. In IE, click on **[Tools]** → **[Internet Options...]**
3. Click on **[Security]** Tab → **[Custom Level...]**
4. In Security Settings, under **[Download unsigned ActiveX controls]**, select “Enable” or “Prompt”.
5. In Security Settings, under **[Initialize and script ActiveX controls not marked as safe]**, select “Enable” or “Prompt”.
6. When pop-up window with warning message, click **[Yes]** to save the settings.

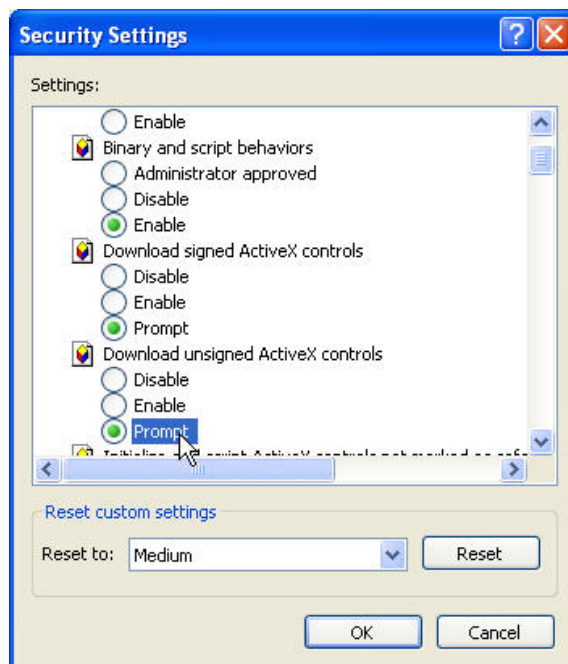
1



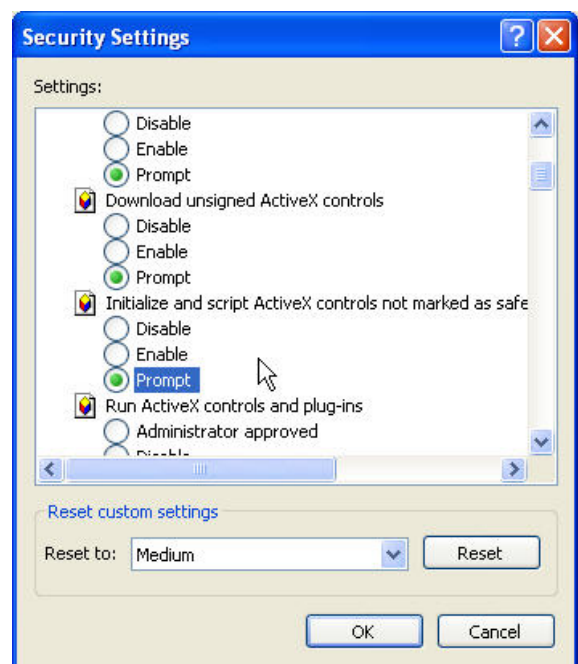
2



3

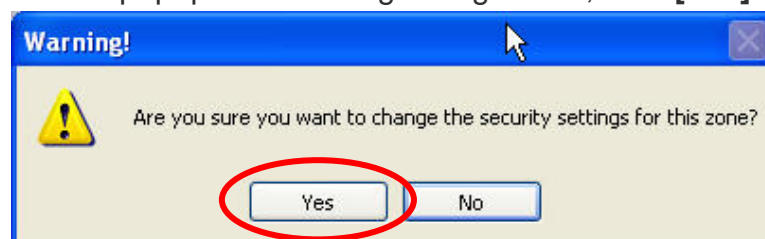


4

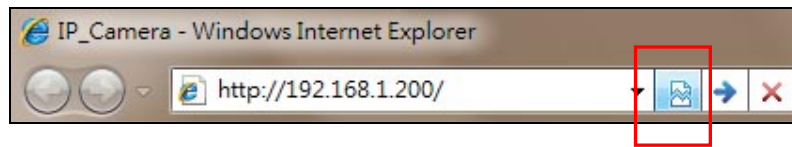


5

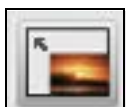
When popup the following dialogue box, click [Yes].



The web page of the device shows as following.



- ① **Language** : Change the display language.
- ② **Configuration** : Go into the configuration page to set the parameters if necessary.
- ③ **Select Stream** : Select the video stream from the pull-down list to display it.
- ④ **Video Rotation** : Select the orientation from the pull-down list to display the video.
- ⑤ **Status Bar** : Shows video resolution, video refresh rate (FPS) and video bit rate.
- ⑥ **Function Buttons** : Click these buttons will perform the following functions.



**Full Screen** : Click this button, the video will change to full screen mode.  
Press **[Esc]** key or double-click the video again, it will back to normal mode.





**Snapshot** : Click this button to take snapshot of the video. The image will be saved to the indicated location that is defined with **[File Location]** button.



**Record** : Click this button to record the video into the local PC. The video will be saved to the indicated location that is defined with **[File Location]** button. To stop recording, click this button again.

The saved video format is AVI. The recorded file can be played by Microsoft Media Player. **Note, H.264 decoder must be installed to play the recorded file. You can install “FFdshow” from the included CD for the decoder.**



**Talk** : The camera supports 2-way audio. Click this button, then you can use microphone which connected to the PC to talk to the camera side.



**Listen** : Click this button to listen the audio from camera. Click again to turn off it.



**File Location** : Sets the location where the video and snapshot are saved to. The default location is “C:\”. To change the location, click this button and select the desired location.



**Manual Trigger** : Click the button to manually trigger an event when required. Note: an Event should be set before this feature can be used. Refer on how to setup an Event in [Configuration → Event Handling → Configuration](#).



## 4.2 Connect with Mobile Phone

Start the web browser, type the IP address of the network camera in the address field:

<http://<IP of camera>>


After link to the camera, it will show a dialogue box for log in. Key-in the user name and password to log-in and the live video will be shown.

The default user name and password are “**admin**” and “**admin**”.

If the above URL can't see the live video, try to type the below URL:

[http://<IP of camera>/viewer/mobile\\_view.html](http://<IP of camera>/viewer/mobile_view.html)

## 5. Configuration

Click [**Configuration**] button to get into the configuration page. Click  [**Live View**] button to back to the Live-View page.



To open the page for configure, click the button on “Main menu” area on the left side, and then click the button on “Sub-menu” on the top side. Refer to the related chapter to configure the camera.

## 5.1 Video / Audio

### 5.1.1 Video Stream

This device has in total 6 independent and simultaneous streams which can be used. The Live View page provides access to a list of streams which are set in this page.

Stream1			
<input checked="" type="checkbox"/> Stream Enabled	URL	v01	Video Mode
	Encode Resolution	1920*1080	CBR
	Encode Type	H.264	Bit Rate
	Frame Rate	25	4000
	GOP	30	Target Bit Rate Max
	JPEG Quality	50	8000
			Reaction Delay Time
			10
			Quality Level
			25
			Quality Level Max
			51
			Quality Level Min
			8

Stream2			
<input checked="" type="checkbox"/> Stream Enabled	URL	v02	Video Mode
	Encode Resolution	640*360	CBR
	Encode Type	H.264	Bit Rate
	Frame Rate	20	4000
	GOP	30	Target Bit Rate Max
	JPEG Quality	50	6000
			Reaction Delay Time
			10
			Quality Level
			25
			Quality Level Max
			51
			Quality Level Min
			8

Stream3			
<input checked="" type="checkbox"/> Stream Enabled	URL	v03	Video Mode
	Encode Resolution	320*180	CBR
	Encode Type	H.264	Bit Rate
	Frame Rate	30	512
	GOP	30	Target Bit Rate Max
	JPEG Quality	50	1000
			Reaction Delay Time
			10
			Quality Level
			25
			Quality Level Max
			51
			Quality Level Min
			8

Stream4			
<input checked="" type="checkbox"/> Stream Enabled	URL	v04	Video Mode
	Encode Resolution	320*180	CBR
	Encode Type	MJPEG	Bit Rate
	Frame Rate	30	512
	GOP	30	Target Bit Rate Max
	JPEG Quality	50	512
			Reaction Delay Time
			10
			Quality Level
			25
			Quality Level Max
			51
			Quality Level Min
			8

Stream5			
<input checked="" type="checkbox"/> Stream Enabled	URL	v05	Video Mode
	Encode Resolution	160*128	CBR
	Encode Type	H.264	Bit Rate
	Frame Rate	30	128
	GOP	30	Target Bit Rate Max
	JPEG Quality	50	128
			Reaction Delay Time
			10
			Quality Level
			25
			Quality Level Max
			51
			Quality Level Min
			8

Stream6			
<input checked="" type="checkbox"/> Stream Enabled	URL	v06	Video Mode
	Encode Resolution	160*128	CBR
	Encode Type	MJPEG	Bit Rate
	Frame Rate	30	128
	GOP	30	Target Bit Rate Max
	JPEG Quality	50	128
			Reaction Delay Time
			10
			Quality Level
			25
			Quality Level Max
			51
			Quality Level Min
			8

#### Stream Enabled

Stream 2 ~ 6 can be enable or disable by check or uncheck this option.

#### URL

Sets the name for the video stream; input an appropriate name to indicate the stream type which is being used. The name will be listed in the Live View page for choose.

If you want to get the video stream through RTSP protocol, include the name in the path, i.e. "rtsp://<Camera IP>/v01".

---

### *Encode Resolution*

You can set up a different video resolution for Stream 2. Note: the resolution of stream 1, 3, 4, 5 and 6 are fixed and can't be changed.

### *Encode Type*

You can select H.264 or MJPEG video compression for Stream 1 and 2. Note: the encode type of stream 3, 4, 5 and 6 are fixed and can't be changed.

### *Frame Rate*

This limits the maximum refresh frame rate per second.

### *GOP*

GOP stands for "Group of Pictures". The GOP is a group of successive pictures within a coded video stream.

### *JPEG Quality*

Values run from 1 to 80, the higher number the higher quality.

### *Video Mode*

**CBR:** Defined as "Constant Bit Rate", it's the fixed bit rate allowed in the video stream. **The data size of video stream will be limited under the value of "Bit Rate" field. You should set the value of "Bit Rate" depend on the upload bandwidth of network.**

**VBR:** Defined as "Variable Bit Rate", it's the fixed image quality of the video stream. **The data size of video stream is no limitation, if the upload bandwidth of network is lower than the data size, the video will be displayed slowly.**

**Enhanced CBR:** Allows the video streaming be set between a fixed range of bit rate.

**Enhanced VBR:** Sets the maximum bit rate and the range of image quality dedicated for the VBR.

### *Bit Rate*

This is the bit rate allocated for transmitting the video. **You should set the value of "Bit Rate" depend on the upload bandwidth of network, otherwise, the video will be displayed slowly.**

### *Target Bit Rate Max*

Sets the maximum bit rate allowed for the "Enhanced CBR" and "Enhanced VBR".

### *Reaction Delay Time*

Available only for “Enhanced CBR”, sets the maximum time in milliseconds for which the Target Bitrate Maximum is allowed.

### *Quality Level*

Sets the level of the image quality of video stream, the higher number the higher quality. The range of quality can be set by the Quality Level Max and Min.

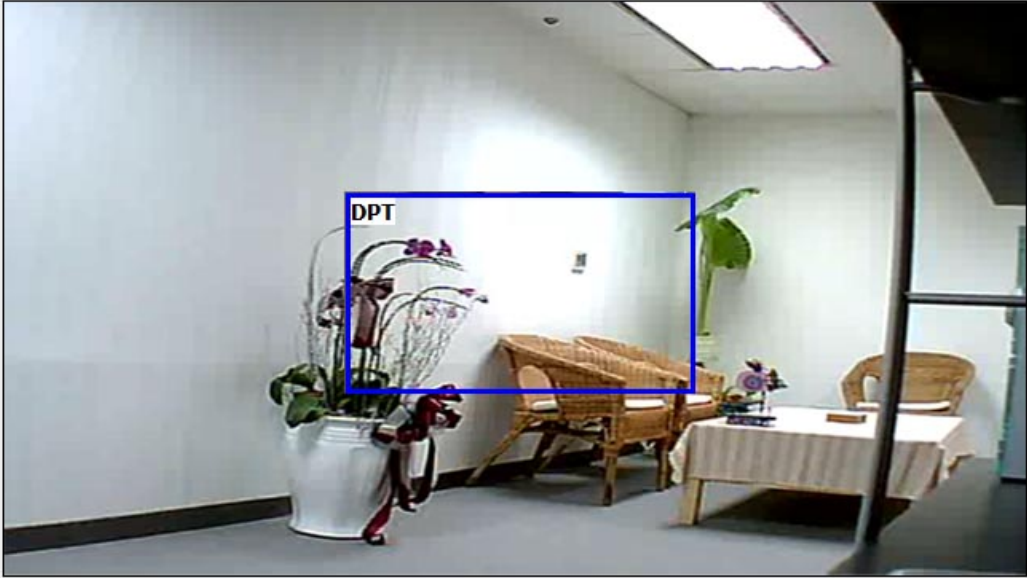
**After set up, click [Save] to save the settings.**

## 5.1.2 Video (Advanced)

**Video Advanced Setting**

Enabled Digital PT

v02 ▾



**Audio Setting**

Audio Input Source : Microphone ▾

Audio Out Volume : 80 ▾

Audio In Format :  Off  u-LAW

**OSD Setting**

Camera Name : IP CAMERA (20 character max)

Date/Time

Display Position Left Top ▾

PAL ▾

### Enable Digital PT

The Digital PT feature allows you pan, tilt around the image within a selected image area. The streams for using Digital PTZ are streams 2, 5 and 6 (such streams will be shown they are enable from the “Video Stream” page ( [Configuration → Video/Audio → Video Stream](#) ).

### Audio Setting

#### Audio Input Source

Select between a Microphone or a Line-in device as the audio input device. (Note: This setting may vary depending on the device’s hardware availability).

### *Audio Out Volume*

Adjust the volume of the audio for a better audio level performance.

### *Audio In Format*

Select “u-LAW” or “Off” to enable or disable the audio input. The “u-LAW” is highly recommended for 3GPP mobile surveillance (for example, on iPhone or other network-enabled smart phones and NVR surveillance application software).

## **OSD Setting**

### *Camera Name*

You can type a name into this field to identify this device (maximum of 20 characters).

### *Date / Time*

Displays the date and time on the video.

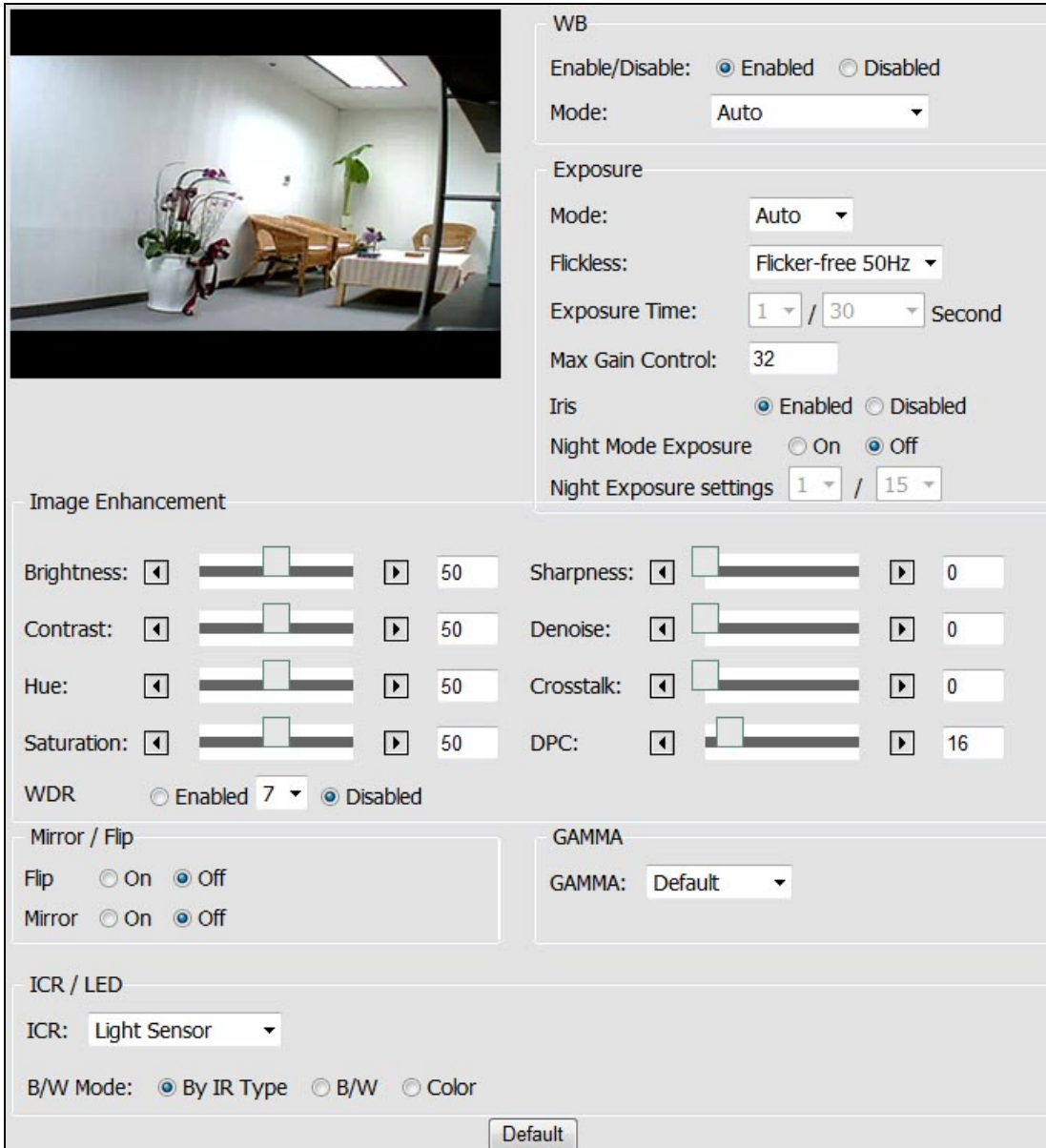
### *NTSC or PAL*

Select the TV standard to match your local video system. (Note: This setting may vary depending on the device’s hardware availability).

**After set up, click [Save] to save the settings.**

## 5.2 Camera

### 5.2.1 Camera Setting



The screenshot shows the camera's configuration menu. It includes a live view of a room and several adjustable settings:

- WB (White Balance):** Enable/Disable (radio buttons), Mode (Auto dropdown).
- Exposure:** Mode (Auto dropdown), Flickless (Flicker-free 50Hz dropdown), Exposure Time (1 / 30 Second), Max Gain Control (32), Iris (radio buttons), Night Mode Exposure (radio buttons), Night Exposure settings (1 / 15 dropdown).
- Image Enhancement:** Sliders for Brightness (50), Contrast (50), Hue (50), Saturation (50), Sharpness (0), Denoise (0), Crosstalk (0), and DPC (16).
- WDR:** Enabled (7) / Disabled (radio buttons).
- Mirror / Flip:** Flip (radio buttons), Mirror (radio buttons).
- GAMMA:** GAMMA (Default dropdown).
- ICR / LED:** ICR (Light Sensor dropdown).
- B/W Mode:** By IR Type (radio buttons), B/W (radio button), Color (radio button).

A 'Default' button is located at the bottom center of the settings panel.

#### WB (White Balance)

Enable and Disable the white balance adjustment for the image. Selections of Enable include manual selections based on the preferred method for the light conditions where the camera has been setup in.

#### Exposure

Configure the exposure settings to suit the image quality requirements in relation to



lighting, frame rate and bandwidth considerations.

Exposure Time, Gain Control and Iris can be adjusted based on the specific need.

## Image Enhancement

Image adjustments features may help on improving the image quality displayed.

## Mirror / Flip

Turn ON or OFF these features if the installation of the camera requires the image to be mirrored horizontally or side flipped.

## Gamma

Adjust the camera's gamma correction if the light conditions require for such.

## ICR / LED

### *ICR Auto*

**Light Sensor:** Sets the ICR to be switched at the Light sensor's detection on the light conditions.

**Light Sensor + PIR:** Combines the trigger of the Light Sensor and the motion detection of the PIR Sensor. (This option is only available for PIR model of camera)

**PIR:** Upon the PIR motion detection is triggered. (This option is only available for PIR model of camera)

**Schedule:** Sets the ICR to be switched within a specific time.

**GPIN:** Sets the ICR to be switched based on the Input triggering status.

### *ICR Manual*

**Day:** Always keeping the ICR is OFF (removed).

**Night:** Always keeping the ICR is ON.

### *B/W Mode*

**By IR Type:** Turns into black and white mode when the ICR is ON, but turns into color mode when the ICR is OFF (removed).

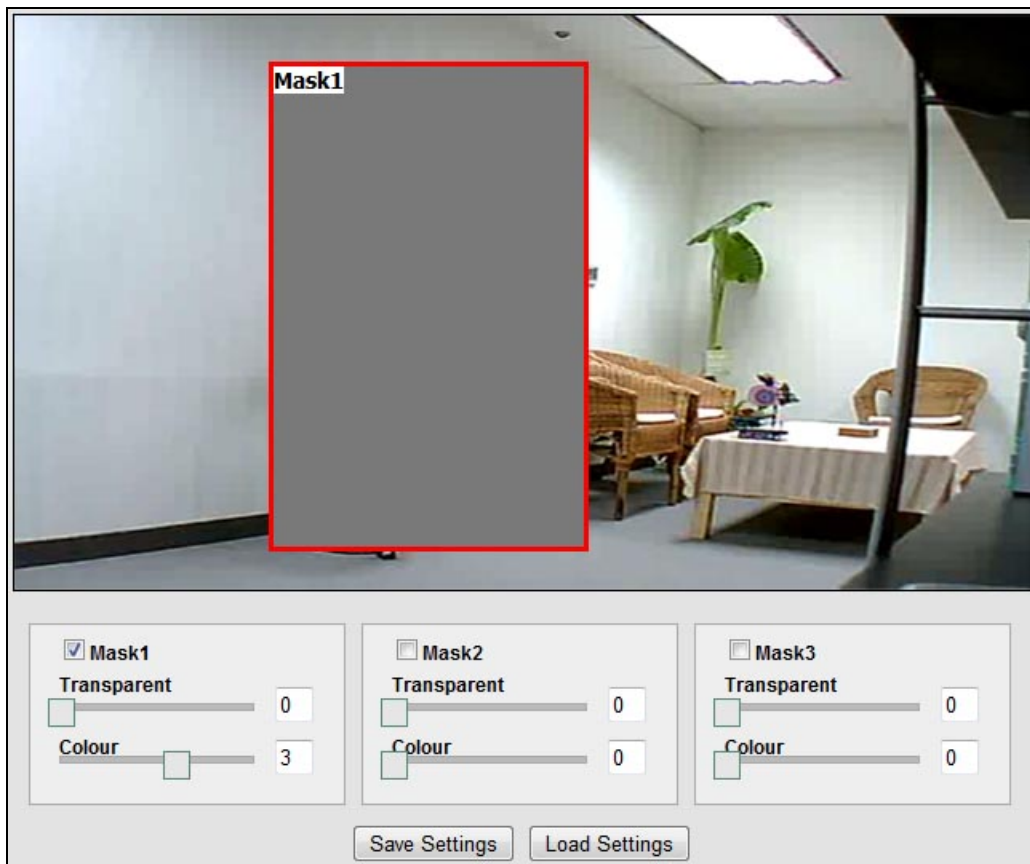
**B/W:** Displays the image always in black and white.

**Color:** Displays the image always in color mode.

## Default Button

Click **[Default]** button will load the default settings.

## 5.2.2 Privacy Mask



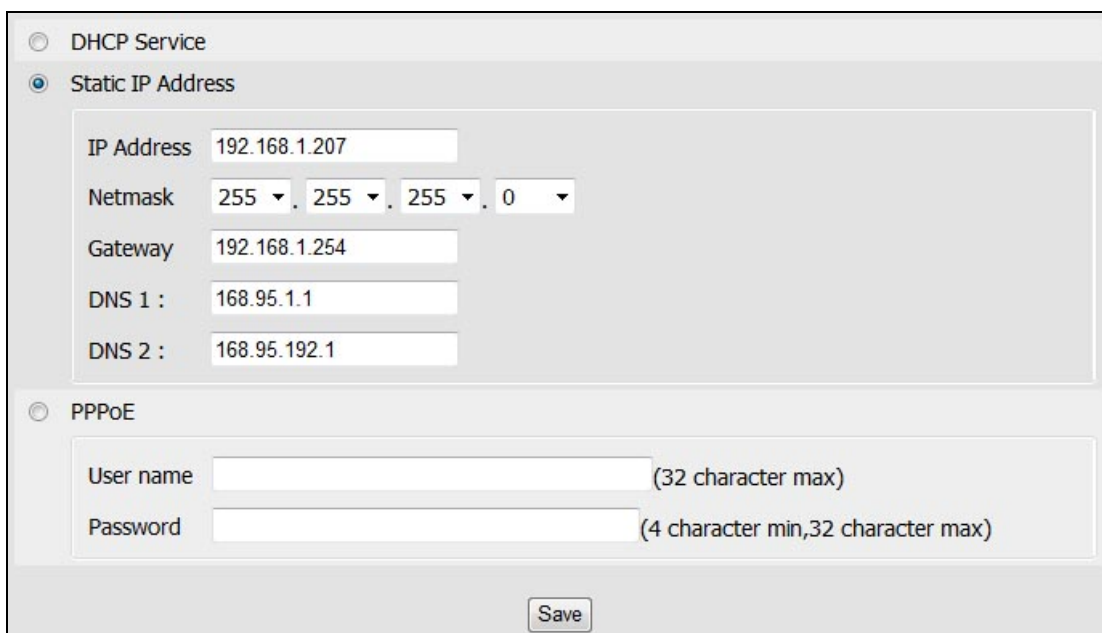
Sets a privacy masking on the selected area; a maximum of 3 privacy masks are allowed. To enable the mask, make a checkmark on the box for enabling it, and after marking the area using the mouse, click on **[Save Settings]** button to make the changes permanent.

## 5.3 Network

The Network Settings page allows the user to change and add more sophisticated configurations based on the network infrastructure where the Network Camera is installed. As for the IP Search utility is useful for initial boot up and straight network configuration, the Network Settings page offers a flexible way to fully utilize the network capabilities.

- **Network Setting:** Basic IP configuration settings.
- **Network (Advanced):** Page for network settings that include Time Server, Hostname and Port for services.
- **DDNS:** Service for accessing the Network Camera through domain names rather than IP addresses.
- **Wireless:** Configuration page wireless network settings.

### 5.3.1 Network Setting



DHCP Service  
 Static IP Address

IP Address: 192.168.1.207  
 Netmask: 255 . 255 . 255 . 0  
 Gateway: 192.168.1.254  
 DNS 1 : 168.95.1.1  
 DNS 2 : 168.95.192.1

PPPoE

User name: \_\_\_\_\_ (32 character max)  
 Password: \_\_\_\_\_ (4 character min, 32 character max)

Save

#### DHCP Service

If this device behinds a router and the router provides DHCP service, using DHCP, this device will get all network parameters from the router automatically.

#### Static IP Address

Assign IP address, subnet mask, gateway, and DNS manually.

**IP Address:** Specify a unique IP address for your network camera.

**Netmask:** Specify the mask for the subnet the network camera.

**Gateway:** Specify the IP address for the Gateway.

**DNS 1:** Specify the IP address for the first group of DNS.

**DNS 2:** Specify the IP address for the second group of DNS.

## **PPPoE**

The PPPoE feature enables the user to connect the Network Camera directly to the ADSL Modem having direct access to Internet. Click on the PPPoE Enable box to activate the feature, and enter the Username and respective Password.

The Username and Password, as well as the internet service that goes with the ADSL Modem are provided by an Internet Service Provider (ISP) such as your local telephone company.

Contact your ISP for more information on how to acquire such service.

**After set up, click [Save] to save the settings.**

## 5.3.2 Network (Advanced)

**NTP Configuration**

Use the following NTP server address:  (Host name or IP address)

---

Enable HTTP Port   
 Enable RTSP Port   
 Enable FTP Port   
 Enable UPnP  
 Enable UPnP Transversal  
 Enable ARP/Ping

---

**RTSP settings**

Anonymous  
 Authentication

### NTP Configuration

**Use the following NTP server address:** Enter the host name or IP address of the NTP server.

**Note:** For users using PPPoE as their network access, any change made to the “Network address” of the “NTP Configuration” may cause the screen to remain still for a while, because your local ISP (Internet Service Provider) is assigning new IP address and new values for the HTTP, RTSP and FTP ports, whenever a change is made to NTP through PPPoE.

### Enable HTTP

The default HTTP port number 80 can be changed according to the user’s need. This is useful for simple security port mapping.

### Enable RTSP

The RTSP protocol allows a connecting client to start an H.264/MJPEG stream. The default setting is 554.

### Enable FTP

The FTP server running in the network cameras enables the upload of new firmware,

and user applications. Check the box to enable the service.

### Enable UPnP/ Enable UPnP Transversal

This device supports UPnP, if the UPnP service is enabled on your computer, the device will automatically be detected and a new icon will be added to “My Network Places”.

**Note:** To use “UPnP function”, the UPnP service must be enabled on your computer.

To use “UPnP Transversal” function, the router must equip “UPnP Transversal” or “UPnP Port Forwarding” function too.

### Enable ARP/Ping

Enabling Arp/ Ping will offer an additional tool to the user in order to detect the status of the Network Camera. For related commands to ARP/ Ping, refer to your Network Administrator.

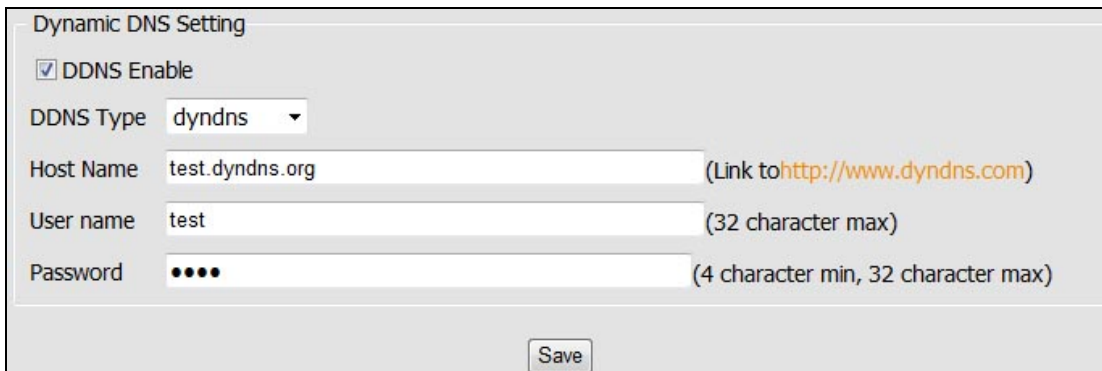
### RTSP settings

**Anonymous:** Allows the access of the RTSP streaming without authenticating.

**Authentication:** Requires an authentication of username and password for retrieving the RTSP streaming.

**After set up, click [Save] to save the settings.**

### 5.3.3 DDNS



The DDNS (Dynamic Domain Name Service) feature allows users to access the Network Camera without the need of remembering the IP address, but rather using a name.

For example: <http://www.mycamera.com>

To be able to use the DDNS feature, a domain name must be registered first in a domain name service from a 3rd party service provider, such as DynDNS ([www.dyndns.org](http://www.dyndns.org)).

The DDNS feature only forwards the information between the Host Name server and the Network Camera, therefore the Username and Password must be obtained from the 3rd party service provider before using the feature.

**Note:** Refer to your Domain Name Service Provider for more information on setting up a domain name. Some Domain Name Service providers charge a fee for the registration, while some offer the service as free of charge. It will be in the user's decision which service to acquire.

In order to use the DDNS feature, it is assumed that the Network Camera already has direct access to Internet.

For more information on how to allow the Network Camera to access the Internet, consult with your Network Administrator.

**After set up, click [Save] to save the settings.**

## 5.3.4 Wireless

Wireless Network

SSID	Mode	Encode	Authentication	Signal strength	WPS
Fas-Home	infra	OPEN	WEP	26%	NO

---

Wireless Setting

Enable Wireless

Network type:  Master/Slave     Ad-Hoc     Host-AP

SSID :

Security:

WEP Settings

Authentication:  Open     Shared Key

Key Length:  64 bit     128 bit

Key type:  Manual     ASCII

Active transmit key:

Key1 :  (5 ASCII chars)

Key2 :  (5 ASCII chars)

Key3 :  (5 ASCII chars)

Key4 :  (5 ASCII chars)

---

Network Setting

DHCP

Static IP Address

IP Address

Netmask

Gateway

When using the wireless network for the first time, users must conduct the following setup:

1. The camera remains wired to a network switch/router through an Ethernet cable.
2. Click on “Enable Wireless” and the Wireless settings will be ready from being set.
3. Once the setup is completed, click on Save and unplug the Ethernet cable from the camera.

### Wireless Setting

When you click on **[Search]** button, the network camera will detect the Access Points available in the current network.

#### Enable Wireless

The wireless function is disabled by default; enable the wireless mode in case a wireless connection is desired rather than the wired connection.

In order to avoid network conflicts, it is recommended that the wireless IP address be different from the wired connection.



### *Network type*

**Master/Slave:** Select this to enable the wireless function for which it may function under a wireless connection infrastructure such as an Access Point.

**Ad-Hoc:** Select this to enable a point-to-point connection to a computer.

**Host-AP:** Select this to allow devices such as computers or mobile phone with Wi-Fi connectivity in order to setup directly the camera without connecting it to an Access point.

### *SSID*

Choose a Wireless network from the SSID table, and type the SSID in the box. The SSID is case-sensitive.

### *Security*

The encryption will depend on whether the Access Point (Wireless Router) utilizes an encryption key to authorize and authenticate client connections to access the wireless service.

Select the security mode to match the Wireless network. It supports “None”, “WEP”, “WPA-PSK”, “WPA2-PSK” security encryption based on the setting of Router.

## **Network Setting**

The default HTTP port number 80 can be changed according to the user’s need. This is useful for simple security port mapping.

### *DHCP Service*

If the Access Point (Wireless Router) provides DHCP service, using DHCP, this device will get all network parameters from the router automatically.

### *Static IP Address*

Assign IP address, subnet mask, gateway, and DNS manually.

**IP Address:** Specify a unique IP address for your network camera.

**Netmask:** Specify the mask for the subnet the network camera.

**Gateway:** Specify the IP address for the Gateway.

**After set up, click [Save] to save the settings.**

## 5.4 Event Handling

This function allows the user to customize the Network Camera to perform actions during a period of time, upon the occurrence of certain events in order to have a result.

For example: Capture a snapshot, at anytime, when a motion is detected; and send the snapshot to an email address.

In simple words: Upon some condition, during a time, do something with a result.

- The condition can be set in “Trigger by” section.
- The period for detecting trigger can be set in “Trigger Time Settings” section.
- The action when event is triggered can be set in “When Triggered...” section.

### 5.4.1 Configuration

Trigger Event List

Event Name	Trigger Type	Trigger Time Settings	When Triggered
Motion-Record	• Motion Detection	Always Trigger	• Record to Storage

( Note: The maximum number of events is 10. )

---

Trigger Event Setup

**General Settings**

Event Name  ( 20 character max )

Trigger by

Continuous trigger
  Motion Detection
  By Boot

Manual trigger
  When IP Change

GPIN

**Trigger Time Settings**

Always Trigger  
 Set the trigger execution time  
 Stop Trigger

---

When Triggered...

Upload images  
 Send email notification  
 Send HTTP notification to  
 Send TCP notification to  
 Record to Storage

GPOUT

Snapshot to Storage

---

## Trigger Event List

Displays the current Event List saved permanently in memory.

**Add:** In order to turn on the capability of setting an Event, click on **[Add]** button to add the available options. Note: the maximum number of events is limited to 10.

**Delete:** In order to remove any existing event, click on the name of the Event and click on **[Delete]** button.

## Trigger Event Setup

### *General Settings*

**Event Name:** Input a name to identify the Event that will perform the action upon some event occurrence.

### **Trigger by (Condition):**

- **Continuous Trigger:** The trigger condition is always on.
- **Motion Detection:** It will perform an action upon a motion is detected. Select which Motion Detection area should be detected.
- **Manual Trigger:** Sets the trigger event to be activated manually from the Live View page. The activation is done by a click on the icon of Manual Trigger.
- **GPIN:** It will perform an action when the Digital Input is triggered. Select which Digital Input should be detected.
- **By Boot:** It will perform an action when the camera is booted or restarted. This feature is useful to detect reconnections that are not anticipated or expected.
- **When IP Change:** Makes a notification when the IP address of the camera changes.

### *Trigger Time Settings*

**Always Trigger:** Always keep the Network Camera alert to wait for some condition to happen.

**Set the trigger execution time:** It will perform the action only for the time frame set. Drag the mouse upon the day and time to set the desired time.

**Stop Trigger:** Don't do anything while activated. In other words, even if the condition has happened the Network Camera shall not do anything.

## When Triggered... (Do some action when event is triggered)

**Upload Images:** Sends the images to a predefined FTP server set in [Configuration](#) →

[Event Handling → Event Server](#) page.

**Send Email notification:** Send an email message to a predefined email address set in [Configuration → Event Handling → Event Server](#) page.

**Send HTTP notification to:** Send a text message as a parameter to predefined HTTP server set in [Configuration → Event Handling → Event Server](#) page. The HTTP server should be expecting a text message or a command.

**Send TCP notification to:** Send a text message as a parameter to predefined TCP server set in [Configuration → Event Handling → Event Server](#) page. The TCP server should be expecting a text message or a command.

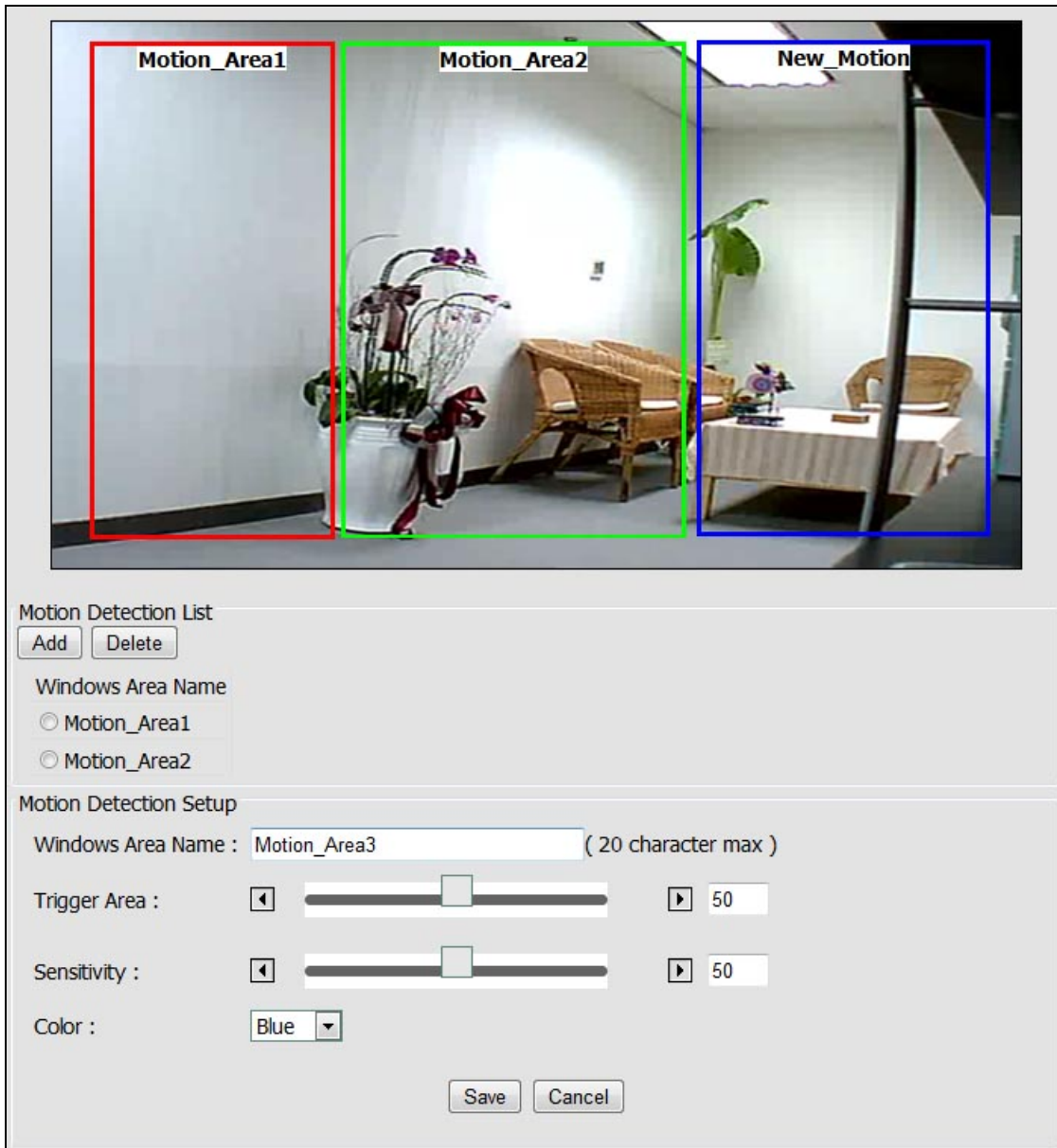
**Record to Storage:** Record video (selected stream) to the connected storage. The storage must be indicated in [Configuration → Storage → Storage Information](#).page first.

**GPOUT:** Set to activate the Digital Output once triggered. Select which Digital Output should be activated.

**Snapshot to Storage:** Take snapshot and save to the connected storage. The storage must be indicated in [Configuration → Storage → Storage Information](#).page first.

**After set up, click [Save] to save the settings.**

## 5.4.2 Motion Detection



Motion Detection List

Add Delete

Windows Area Name

Motion\_Area1

Motion\_Area2

Motion Detection Setup

Windows Area Name :  ( 20 character max )

Trigger Area :  50

Sensitivity :  50

Color :

Save Cancel

Video motion detection is used to generate an alarm whenever movement occurs in the video image.

A total of 3 areas can be configured.

Once configured, the video motion detection windows appear in the list of available triggers, for triggering events.

**Note:**

- Using the motion detection may decrease the camera's overall performance.
- Don't set Date & Time of OSD (On-Screen Display) included in the detected area.

## Motion Detection List

3 areas can be set for which they will be identified in 3 colors each, Red, Green or Blue.

**Add:** Once click this button, according to the color selected, a squared block will be displayed on the video. Drag the corner of block to adjust the size. Drag the name of the block can move its position.

**Delete:** In case any of the area is not required, click on the name of the Area Name from the Motion Detection List, and click on **[Delete]** button.

## Motion Detection Setup

**Windows Area Name:** Descriptive name of your choice.

**Sensitivity:** For which the higher the number, the more sensitive is the motion area.

**Color:** 3 colors can be chosen among the areas set for the motion detection; Red, Green or Blue.

**Once the process has been completed, click [Save] to save the settings.**

### 5.4.3 Event Server

Event Servers are used to receive uploaded image files and/or notification messages. To set up Event Server connections in your camera, enter the required information for the required server type.

- **Add FTP:** Adds a FTP server to receive the images.
- **Add SMTP:** Adds an Email address to receive email messages.
- **Add HTTP:** Adds a HTTP server to receive text messages.
- **Add TCP:** Adds a TCP server to receive text messages.
- **Delete:** To remove any existing Event Server, select a Name from the Event Server List and click on **[Delete]** button.

Upon clicking on any button to add FTP, HTTP, TCP or SMTP server a box will show up for filling the required information.

#### FTP Server

Event Server List

Name	Protocol	Address	Upload Path	User name
FTP_Site	FTP	192.168.1.....	/	ftptest
Receiver	SMTP	smtp.mails....		test
HTTP_Note	HTTP	http://192....		test
TCP_Note	TCP	192.168.1.....		

( Note: The maximum number of the single event server is 4. )

---

FTP Server

Name  (32 character max)

Network Address

Port  [1...65535]

Upload Path

User name  (32 character max)

Password  (4 character min, 32 character max)



## SMTP Server

Event Server List

Name	Protocol	Address	Upload Path	User name
FTP_Site	FTP	192.168.1.....	/	ftptest
Receiver	SMTP	smtp.mails....		test
HTTP_Note	HTTP	http://192....		test
TCP_Note	TCP	192.168.1.....		

( Note: The maximum number of the single event server is 4. )

---

SMTP Server

Name  (80 character max)

Email Address

Mail Server  (hostname or IP address)

Port  [1...65535]

User name  (128 character max)

Password  (4 character min, 32 character max)

Enable TLS

## HTTP Server

Event Server List

Name	Protocol	Address	Upload Path	User name
FTP_Site	FTP	192.168.1.....	/	ftptest
Receiver	SMTP	smtp.mails....		test
HTTP_Note	HTTP	http://192....		test
TCP_Note	TCP	192.168.1.....		

( Note: The maximum number of the single event server is 4. )

---

HTTP Server

Name  (32 character max)

URL

User name  (32 character max)

Password  (4 character min, 32 character max)



## TCP Server

Event Server List

Name	Protocol	Address	Upload Path	User name
FTP_Site	FTP	192.168.1.....	/	ftptest
Receiver	SMTP	smtp.mails....		test
HTTP_Note	HTTP	http://192....		test
TCP_Note	TCP	192.168.1.....		

( Note: The maximum number of the single event server is 4. )

---

TCP Server

Name  (32 character max)

Network Address

Port  [1...65535]

After set up, click [Save] to save the settings.

## 5.4.4 GPIO

GPIO	
GPIN:	Normal Status : <input type="text" value="Open"/>
GPOUT1:	Normal Status : <input type="text" value="Open"/> Post Alarm : <input type="text" value="5"/> ( 1 ~ 200 ) Second
<input type="button" value="Save"/>	

This page is used to configure normal circuit status of Digital Input and Digital Output.

- **GPIN Normal Status:** Sets “Open” or “Close” for the Normal Status of GPIN circuit.
- **GPOUT Normal Status:** Sets “Open” or “Close” for the Normal Status of GPOUT circuit.

**After set up, click [Save] to save the settings.**

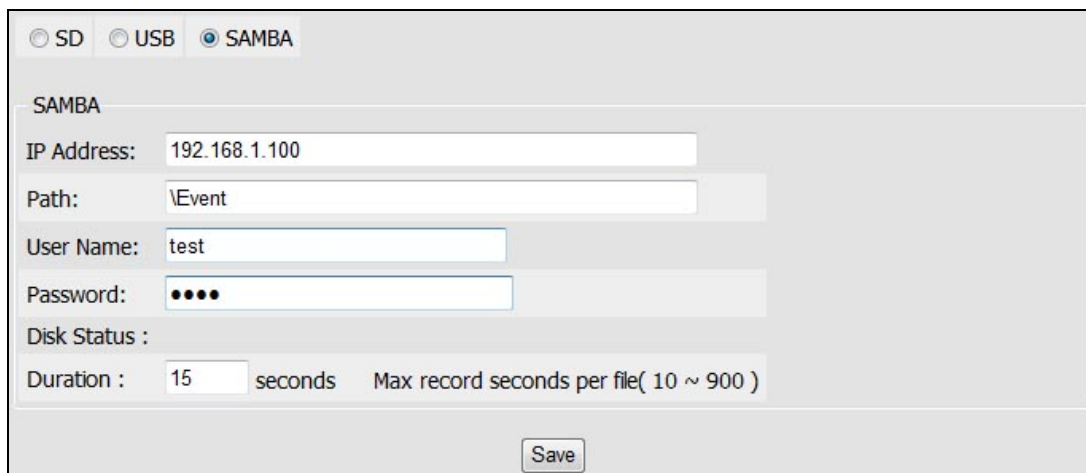
## 5.5 Storage

### 5.5.1 Storage Information

This page allows selecting the storage to store the video or image, lately used in the Event Handler feature.

**Note: Only Samba storage will work, because this camera does not support SD card and USB storage for recording.**

#### Samba



SD  USB  SAMBA

SAMBA

IP Address: 192.168.1.100

Path: \Event

User Name: test

Password: ●●●●

Disk Status :

Duration : 15 seconds Max record seconds per file( 10 ~ 900 )

Save

The recorded files can be stored directly into a File Server.

Before configuring the IP Address, Path of the File server where the files will be stored, make sure the Username and Password have read/write rights to perform the access of the files into the File Server.

**After set up, click [Save] to save the settings.**

### 5.5.2 File List

**Note: This page will not work, because this camera does not support SD card and USB storage for recording.**

## 5.6 System

### 5.6.1 System Information

System	
Model	
System up time	1970/01/01 00:00:10
Firmware Version	01.00.01.2961
MAC Address	00:0E:C9:03:96:BF
ActiveX Version	1.0.0.193
Ethernet	
Mode	Static
IP Address	192.168.1.207
Netmask	255.255.255.0
Gateway	192.168.1.254
Wireless	
Status	DHCP
MAC Address	00:0E:C9:03:96:BF
IP Address	
Netmask	
Gateway	
PPPoE	
Status	Disabled
DNS Server	
Primary DNS IP address	168.95.1.1
Secondary DNS IP address	168.95.192.1
DDNS	
Status	Off
Domain Name	
Success/Fail	Fail
Device Settings	
Device Name	<input type="text" value="Device Name"/>
Device Location	<input type="text" value="Device Location"/>
<input type="button" value="Save Device Settings"/>	

This page displays information about the current status of the Network Camera. Such information is useful to have references when direct information is required without going through the different pages of configuration of the Network Camera.

User can type a name and location into “Device Name” and “Device Location” fields to identify this device.

## 5.6.2 User Management

**User Setting**

Enable anonymous login(no user name or password required)

WS-Security Authentication

**User List**

User name	User Group
admin	Administrator

**User Setup**

User name

Password

Confirm Password

User Group

Administrator

Operator

Viewer

**Note:**

- 1.Max 14 character are allowed in user names.
- 2.Only A~Z, a~z and 0~9 are allowed in the User Name and Password.
- 3.Min four character,Max 64 character are allowed in user password.
- 4.The maximum number of users is 10.
- 5.The "admin" user is default user and cannot be deleted.
- 6.Press "save" to save the settings when you add a new User Setting.
- 7.Press "modify" when you made any changes to existing User Setting.

The user configuration page allows the Network Camera to have multiple users and profiles to access the Network Camera.

### Enable anonymous login

To allow the access to the Network Camera without restrictions, check the box of "Enable anonymous login".

Such change will allow anyone to access the Network Camera without a username or password.

### Add a user

In order to add a new user, click on the **[Add]** button and fill the information which is required.

After filling the information, click on **[Save]** button to make changes permanent to the device.

There are 3 user groups:

**Administrator:** Permission to view and change the configuration of the Network Camera.

**Operator:** Has permission to change certain configuration of the camera.

**Viewer:** Has only permission to view the Network Camera.

### **Modify a user**

To modify a user, click on a Name from the User list. After modify the information, click on **[Modify]** button to make changes permanent to the device.

### **Delete a user**

To delete a user, click on a Name from the User list, and click on **[Delete]** button.

## 5.6.3 Date / Time

**IPCAM Time**

Date: 2012-12-18 Time: 02:04:15

---

**Set Server Time**

Time zone:

Time Mode:  Daylight Saving Time

Synchronize with local computer time  
Date: 2012-12-18 Time: 02:04:16

Synchronize with NTP server

Set Manually  
Date: 2012 / 12 Time: 01 : 54 : 08

2012-12

Sun	Mon	Tue	Wed	Thu	Fri	Sat
						1
2	3	4	5	6	7	8
9	10	11	12	13	14	15
16	17	18	19	20	21	22
23	24	25	26	27	28	29
30	31					

Selected Date:  (click calendar to set date)

### IPCAM Time

Display the date and time (24 hours clock) of the Network Camera.

### Set Server Time

#### Time zone

Select the GMT to match your time zone.

#### Time Mode

**Daylight Saving Time:** If using “Daylight Saving”, enable this option.

**Synchronize with local computer time:** Select this option will synchronize the device time with the PC’s time.

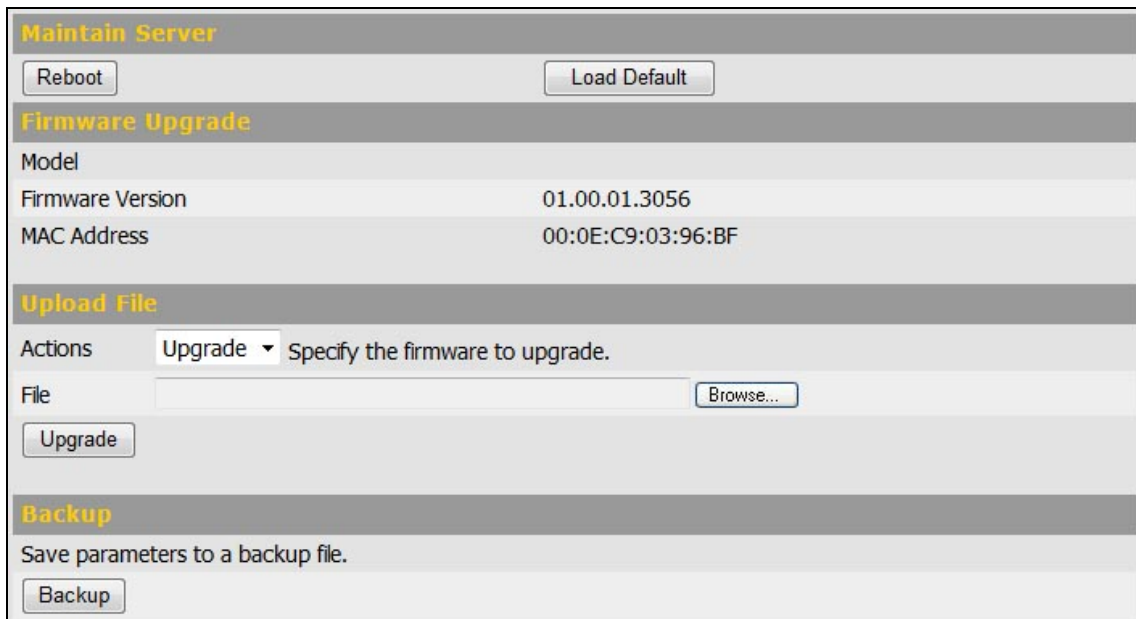
**Synchronize with NTP server:** The camera will obtain the time from a NTP server every 60 minutes. Note: If using a host name for the NTP server, a DNS server must be configured under Network Settings. The URL or IP address of NTP server can be set in [Configuration → Network → Network \(Advanced\)](#) page.

**Set Manually:** This option allows you to manually set the time and date. Select the date from the calendar; adjust the time from the Time field.

**After set up, click [Save] to save the settings.**



## 5.6.4 Maintenance



### Maintain Server

**Reboot:** Click on this button to restart the Network Camera.

**Load Default:** Click on this button to set the Network Camera back to the default parameters from factory.

### Firmware Upgrade

Display the model, firmware version and MAC address of the camera.

### Upload File

#### *Upgrade to a new firmware*

To update the firmware, select “Upgrade” from “Actions” list, click **[Browse...]** to select the new firmware file, and then click **[Upgrade]** to the procedure.

#### *Restore to the previous configuration*

To restore the configuration to a previous backup file, select “Restore” from “Actions” list, click **[Browse...]** to select the backup file, and then click **[Restore]** to the procedure.

### Backup

Click on **[Backup]** button to save the current configuration of the Network Camera to a file.

Note:

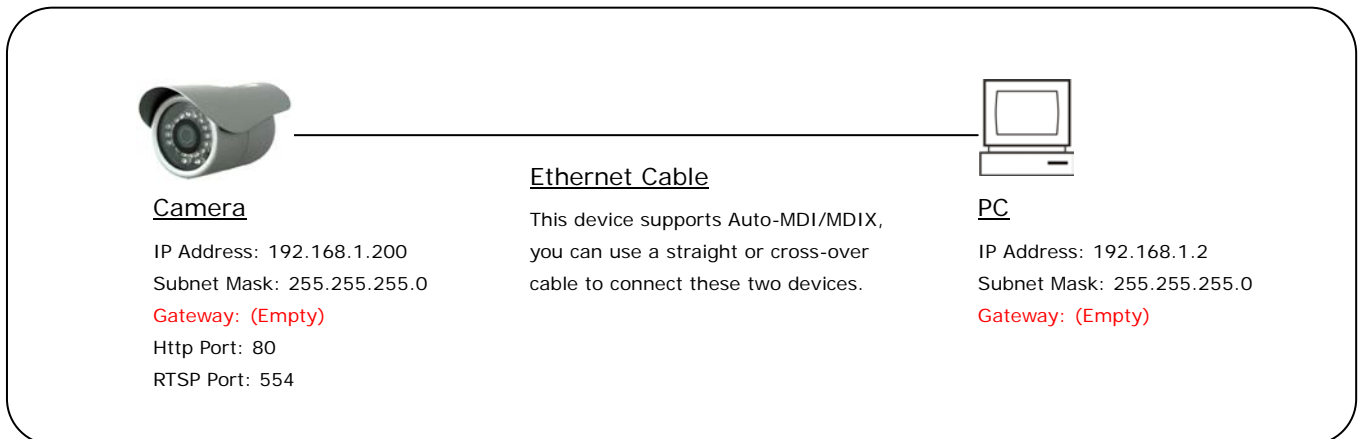
- Please do not restore previous configuration file into camera which has been upgraded with new firmware version. It may lead to malfunction.

## 6. Network Configuration

### 6.1 Intranet Only

#### 6.1.1 Connects to PC Directly

If you want to connect the camera to PC directly for the very first time setup, please refer to the figure below for the connection.



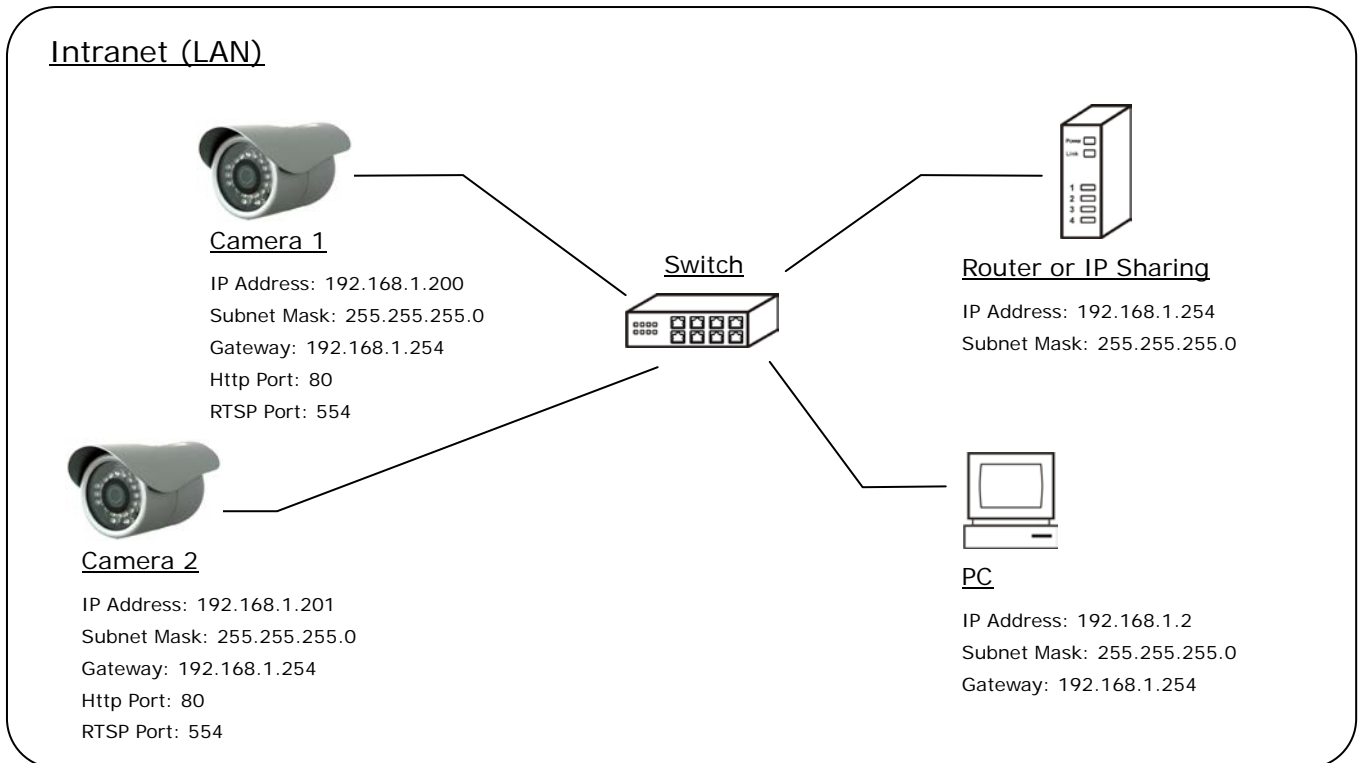
- The camera equips an Auto-MDI/MDIX network connector, you can use a straight or cross-over Ethernet cable to connect the camera to PC.
- Refer to [Configuration → Network → Network Setting](#) page to configure the IP settings.
- Please make sure the IP address of PC and camera are in the same subnet. Ex. [192.168.1.2](#) and [192.168.1.200](#) have the same subnet.
- Set Subnet Mask of PC and camera.
- Clear the Gateway of PC and camera to empty.

For example, if the IP settings have been configured as the above figure, the cameras can be linked with following addresses:

Client	Camera	Link Address
PC	Camera	http://192.168.1.200

## 6.1.2 Connects to an Exist LAN

If the camera will be used in a local network (LAN) and don't allow to access via Internet, please refer to the figure below for the connection.



- Connect the cameras to the Switch.
- Refer to [Configuration → Network → Network Setting](#) to configure the IP settings.
- Please make sure the IP address of Router, PC and camera are in the same subnet.  
 Ex. [192.168.1.2](#) and [192.168.1.200](#) have the same subnet.
- Set Subnet Mask of Router, PC and cameras.
- Set Gateway of PC and cameras with the same IP address. Usually, the Gateway is the IP address of router.
- Set the IP address of a valid DNS into cameras. An invalid DNS will cause the domain name can't be resolved and reached, such as email address.

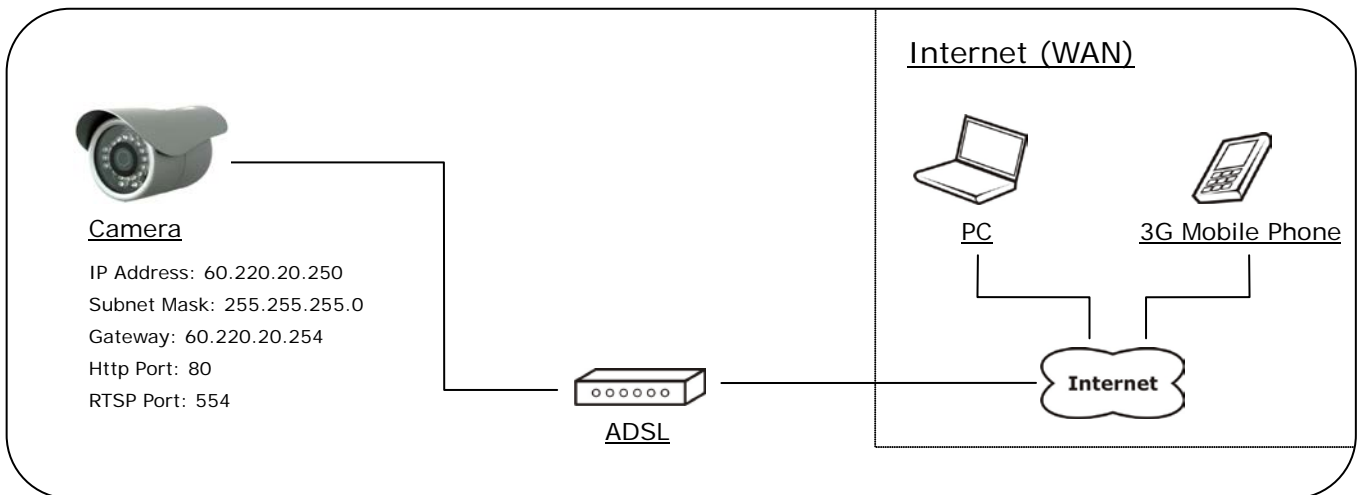
For example, if the IP settings have been configured as the above figure, the cameras can be linked with following addresses:

Client	Camera	Link Address
PC	Camera 1	http://192.168.1.200
	Camera 2	http://192.168.1.201

## 6.2 Internet Only

### 6.2.1 Connects to ADSL with Fixed Public IP Address

If the camera connects to Internet with an ADSL modem and the public IP address of ADSL is fixed, please refer to the figure below for the connection.



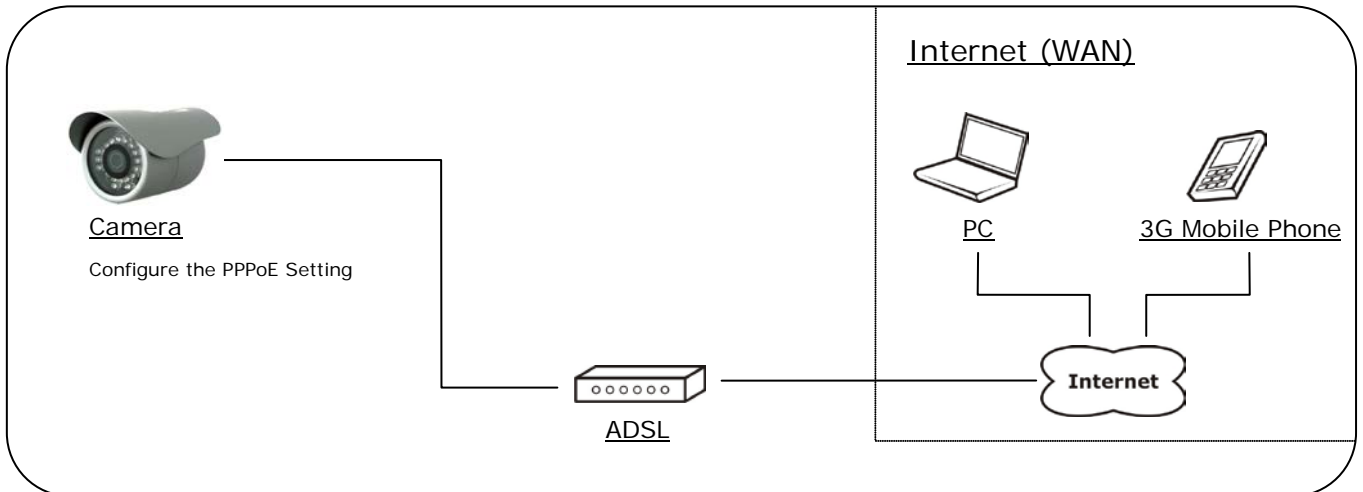
- Connect the camera to the ADSL modem.
- Refer to [Configuration → Network → Network Setting](#) page, configure the IP address, Subnet Mask, Gateway and DNS with the settings that ISP provided for ADSL connection.

For example, if the public IP address is “60.220.20.250”, now the camera can be linked with following addresses:

Client	Link Address
PC	http://60.220.20.250
3G Mobile Phone	http://60.220.20.250 or http://60.220.20.250/viewer/mobile_view.html

## 6.2.2 Connects to ADSL with Floating Public IP (PPPoE)

If the camera connects to Internet with an ADSL modem and the public IP address of ADSL is variable, the camera can use PPPoE function for the connection.



- Connect the camera to the ADSL modem.
- Refer to [Configuration → Network → Network Setting](#) page to configure the PPPoE settings.
- The camera will automatic dial-up and get the public IP address from ISP.
- If you have enable “Send Mail After Dialed” function, the camera will send an email to tell you the current public IP address.

For example, if the public IP address is “60.220.20.250”, now the camera can be linked with following addresses:

Client	Link Address
PC	http://60.220.20.250
3G Mobile Phone	http://60.220.20.250 or http://60.220.20.250/viewer/mobile_view.html

### Using DDNS Function

Since the public IP address is variable, you can enable DDNS function to get a fixed URL to instead of the IP address, refer to [Configuration → Network → DDNS](#) page to configure and enable the DDNS function.

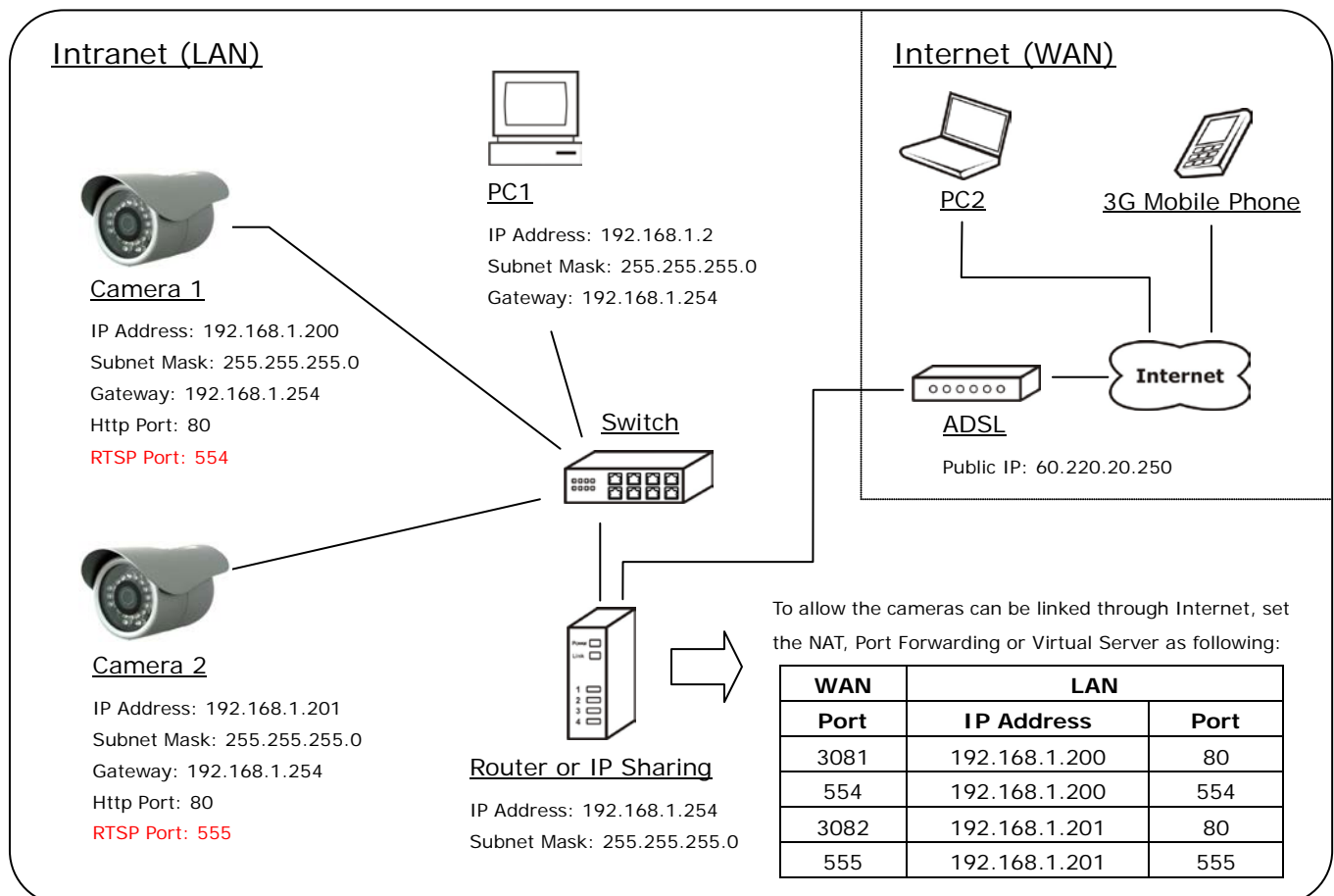
After enable the DDNS, assume the registered URL is “test.dyndns.org”, now the camera can be linked with following URLs:

Client	Link Address
PC	<a href="http://test.dyndns.org">http://test.dyndns.org</a>
3G Mobile Phone	<a href="http://test.dyndns.org">http://test.dyndns.org</a> or <a href="http://test.dyndns.org/viewer/mobile_view.html">http://test.dyndns.org/viewer/mobile_view.html</a>

## 6.3 Intranet + Internet

### 6.3.1 Connects to Internet with Fixed Public IP Address

If the camera will be added into a local network (LAN), and will be accessed via both Intranet and Internet, please refer to the figure below for the connection.



- Assume the local network will be connected to Internet with ADSL connection, first, configure the router (or IP sharing) with the ADSL connection. Please refer to the user's manual of router for the configuration.
- Connect the cameras to the Switch.
- Refer to [Configuration → Network → Network Setting](#) to configure the IP settings.
- Configure the cameras with different IP address. Ex. assign camera1 to 192.168.1.200, and assign camera2 to 192.168.1.201
- Please make sure the IP address of Router, PC and cameras are in the same subnet. Ex. **192.168.1.2** and **192.168.1.200** have the same subnet.
- Set Subnet Mask of Router, PC and cameras.



- Set Gateway of PC and cameras with the same IP address. The Gateway is the IP address of router.
- Set the IP address of a valid DNS into cameras. An invalid DNS will cause the domain name can't be resolved and reached, such as email address.
- Configure the cameras with different RTSP port. Ex. assign camera1 with port 554, and assign camera2 with port 555.
- To allow the cameras can be linked through Internet, set router's NAT (Network Address Translation), Port Forwarding or Virtual Server as following:

Camera	WAN Side		LAN Side			Remark
	Port	Protocol	IP Address	Port	Protocol	
Camera 1	3081	TCP	192.168.1.200	80	TCP	Port for Web page
	554	TCP	192.168.1.200	554	TCP	Port for Video and Audio
Camera 2	3082	TCP	192.168.1.201	80	TCP	Port for Web page
	555	TCP	192.168.1.201	555	TCP	Port for Video and Audio

For example, if the IP settings have been configured as the above figure, the cameras can be linked with following addresses:

Clients in Intranet	Camera	Link Address
PC1	Camera 1	http://192.168.1.200
	Camera 2	http://192.168.1.201

Client from Internet	Camera	Link Address
PC2	Camera 1	http://60.220.20.250:3081
	Camera 2	http://60.220.20.250:3082
3G Mobile Phone	Camera 1	http://60.220.20.250:3081 or http://60.220.20.250:3081/viewer/mobile_view.html
	Camera 2	http://60.220.20.250:3082 or http://60.220.20.250:3082/viewer/mobile_view.html

## 6.3.2 Connects to Internet with Floating Public IP

If the public IP address of ADSL connection is variable, you can enable DDNS function to get a fixed URL to instead of the IP address.

**Note:** only one device can enable the DDNS function in the local network (LAN), multiple devices use DDNS will update to the DDNS provider too frequently, and the DDNS provider will block your URL.

If the router has DDNS function, use router's DDNS function is recommended. Please refer to the user's manual of router for the configuration.

If the router doesn't have DDNS function, use one of the cameras DDNS function is recommended. Refer to [Configuration → Network → DDNS](#) page to configure and enable the DDNS function.

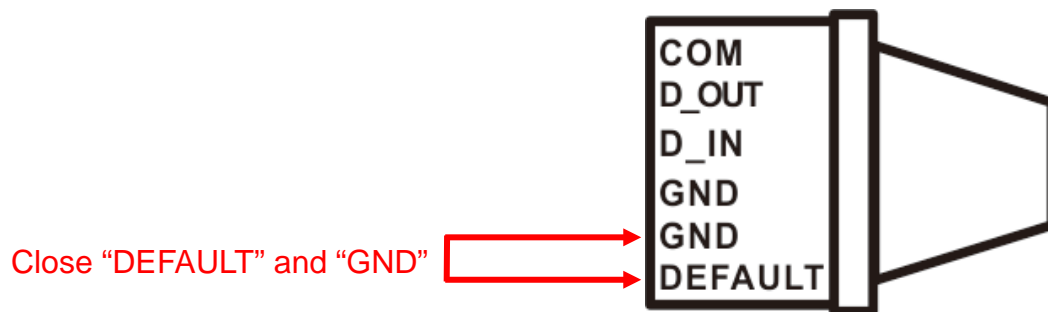
After enable the DDNS, assume the registered URL is "test.dyndns.org", now the cameras can be linked with following URLs:

Client from Internet	Camera	Link Address
PC2	Camera 1	http://test.dyndns.org:3081
	Camera 2	http://test.dyndns.org:3082
3G Mobile Phone	Camera 1	http://test.dyndns.org:3081 or http://test.dyndns.org:3081/viewer/mobile_view.html
	Camera 2	http://test.dyndns.org:3082 or http://test.dyndns.org:3082/viewer/mobile_view.html

## 7. Factory Default

To recover the default settings of this device, please follow the steps:

1. Power off this device.
2. Use a wire to close the “DEFAULT” and “GND” of the Terminal Block.



3. Power on the device, and wait for the Power LED start flashing.
4. Remove the connected wire of the “DEFAULT” and “GND”.
5. Re-login the device using the default username (admin) and password (admin).
6. The IP address is probably restored to the default, in this case, use IP Search utility to search the device. The default IP address is 192.168.1.200